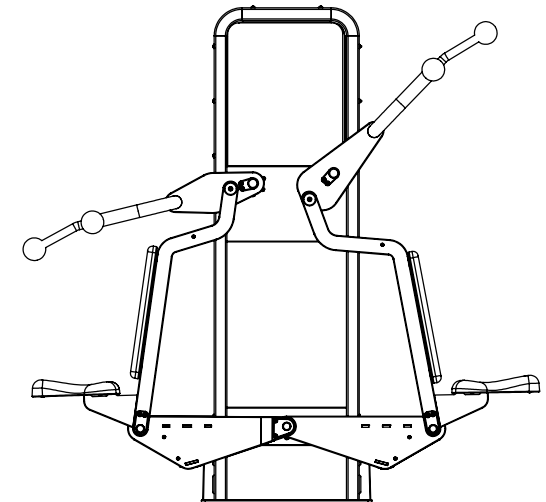
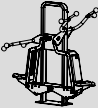



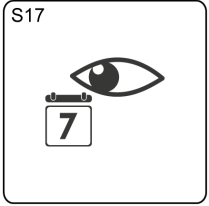
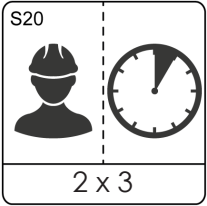


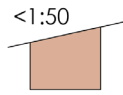
**CC & OM**



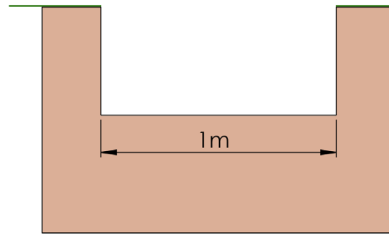
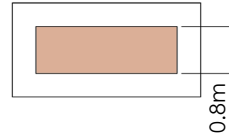
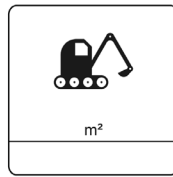
1	MTGO904-C		1x Lat Pull Down/Shoulder Press	160kg
2	MTGO602-01-A		1x 777 x 495 x 344mm	23kg
3	A4 Security Torx button screw		6x M12x50mm	-kg
4	A4 Washer		6x M12 Washer	-kg



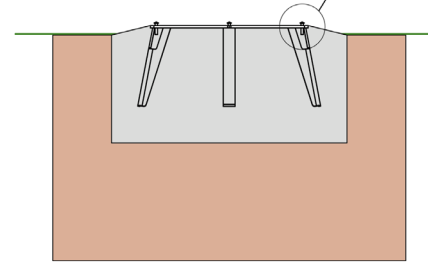
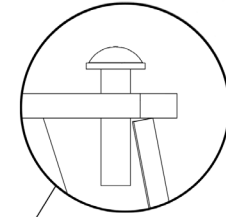
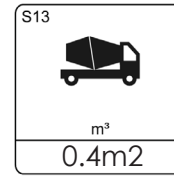
1



2

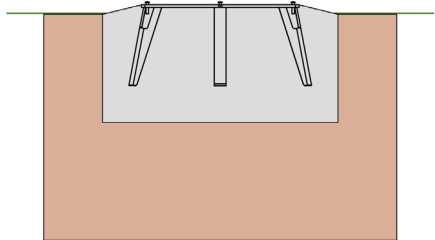
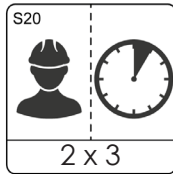


3

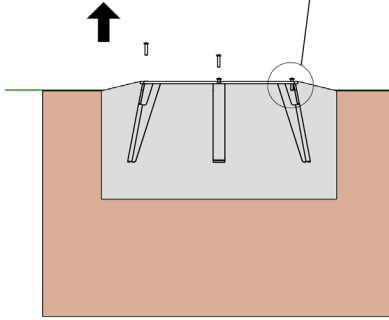
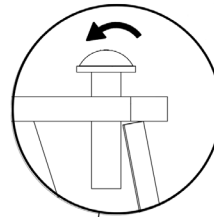


CC

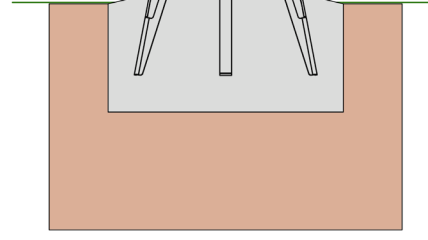
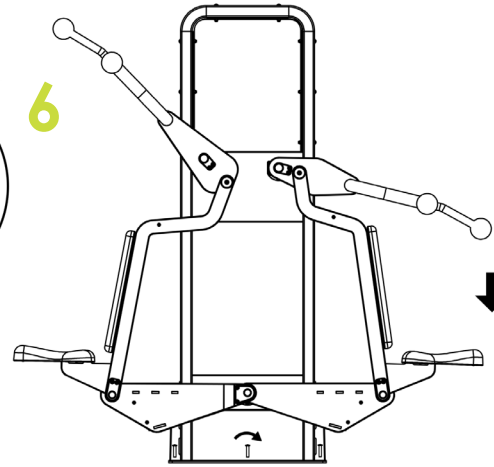
4




5



6




S7

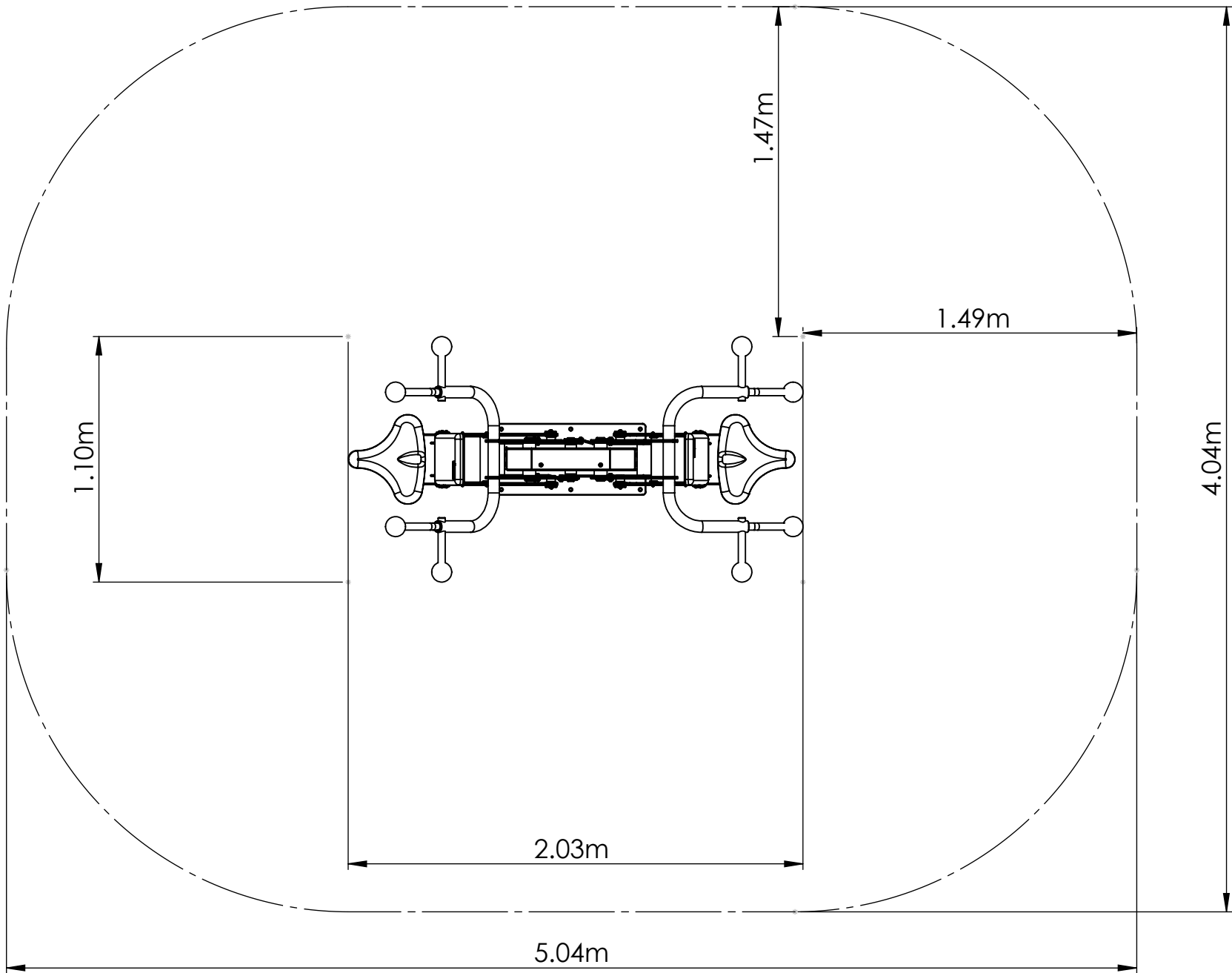


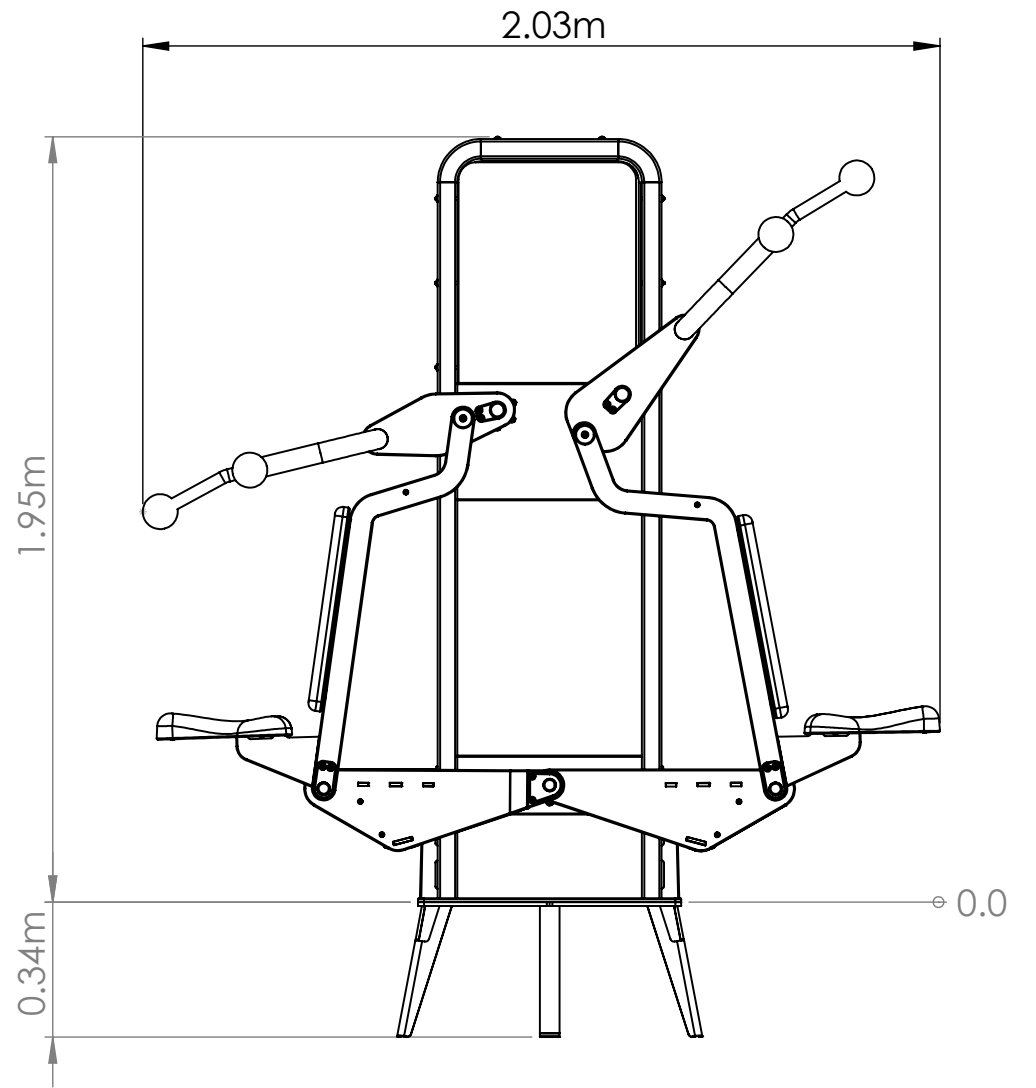
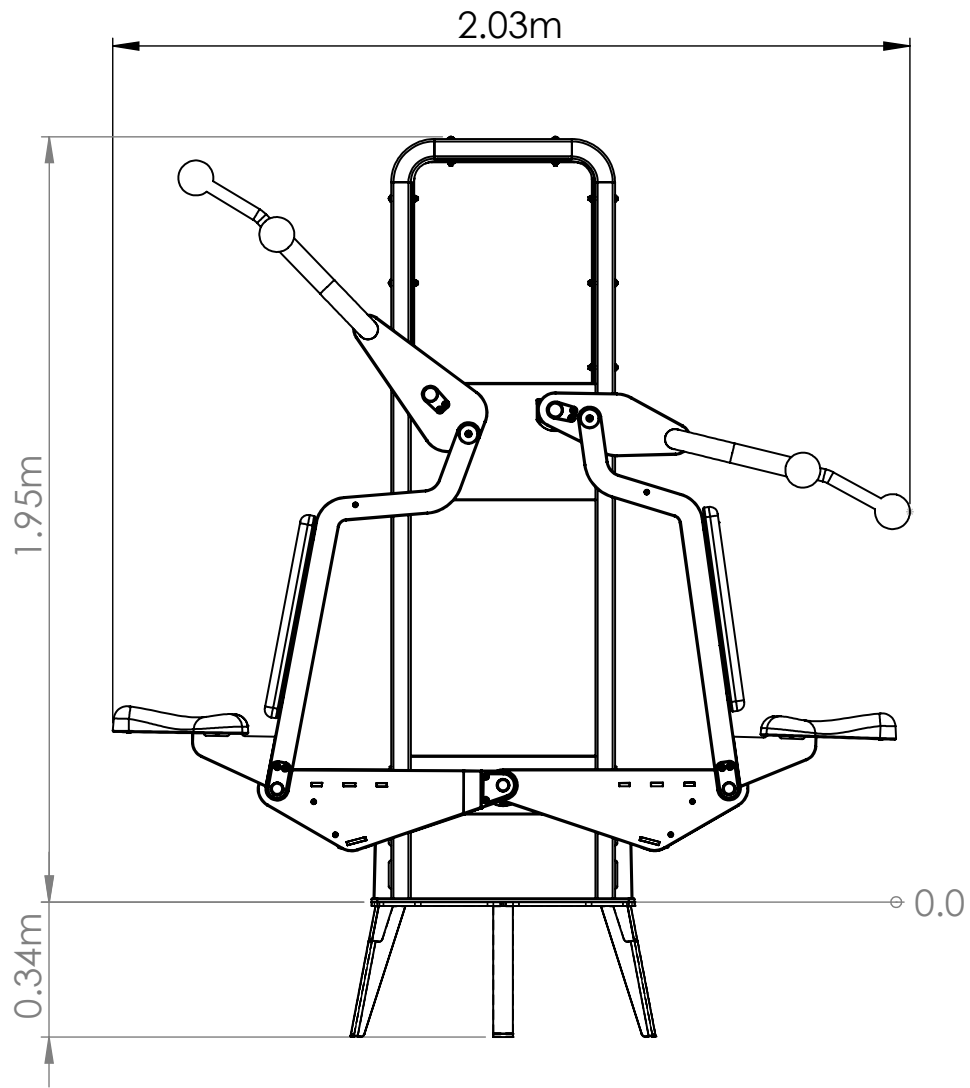
EN16630  
480mm

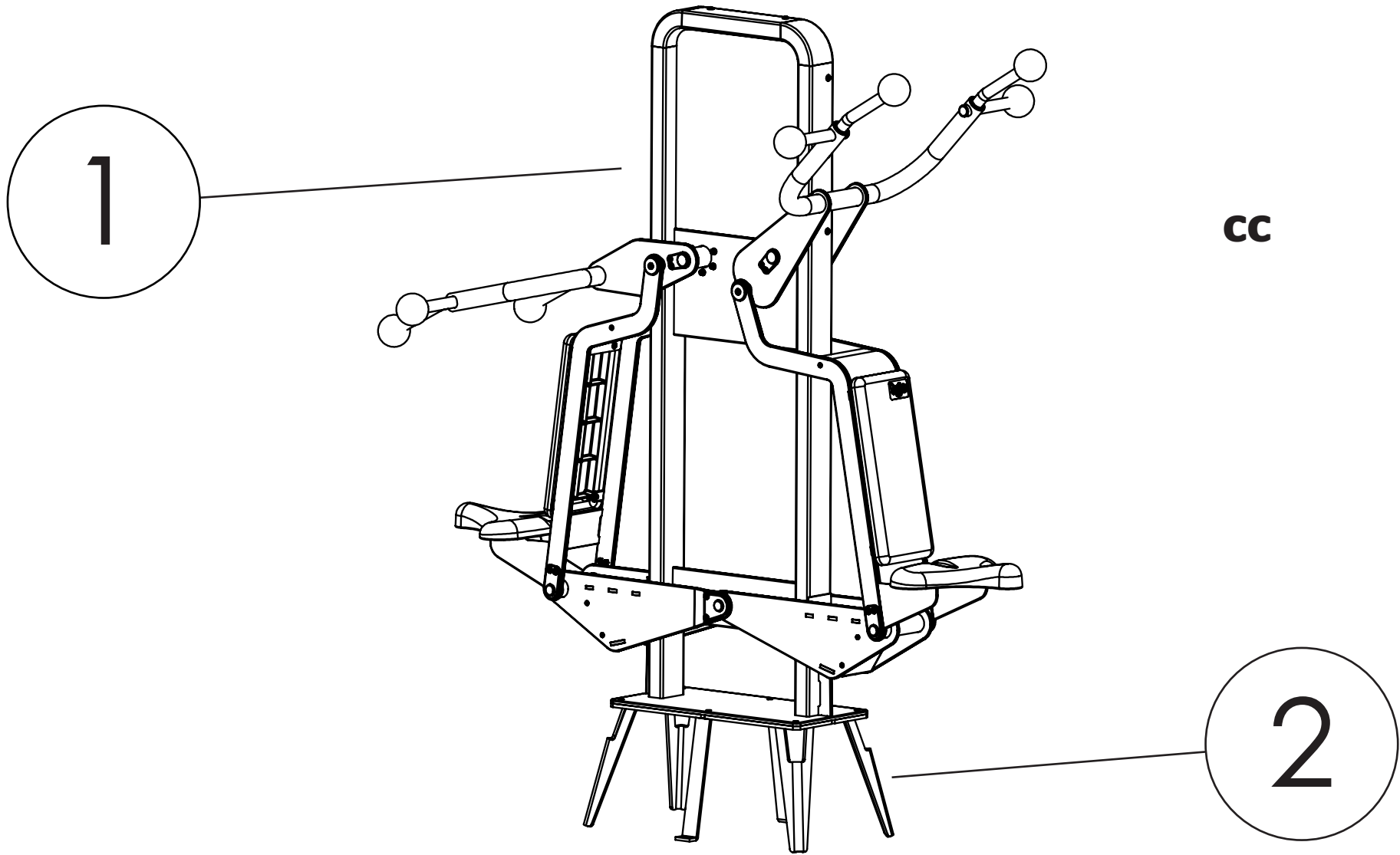
S12



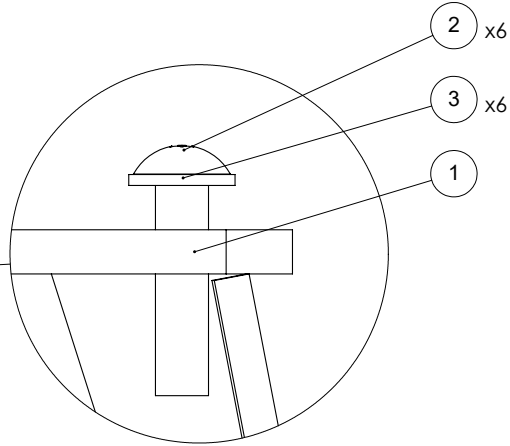
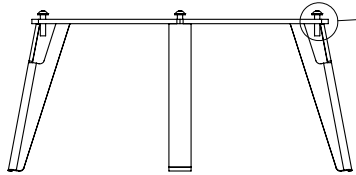
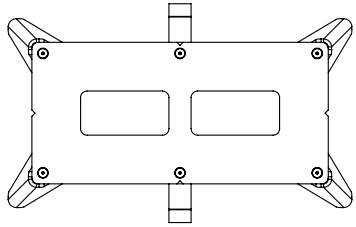
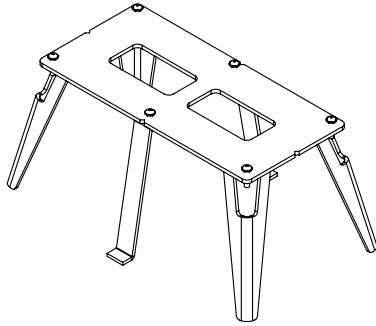
kg  
160kg







CC

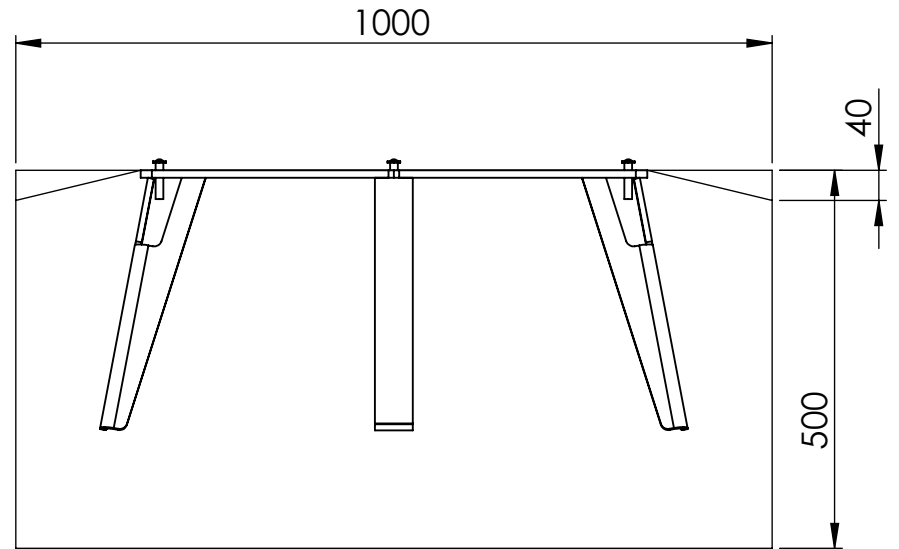
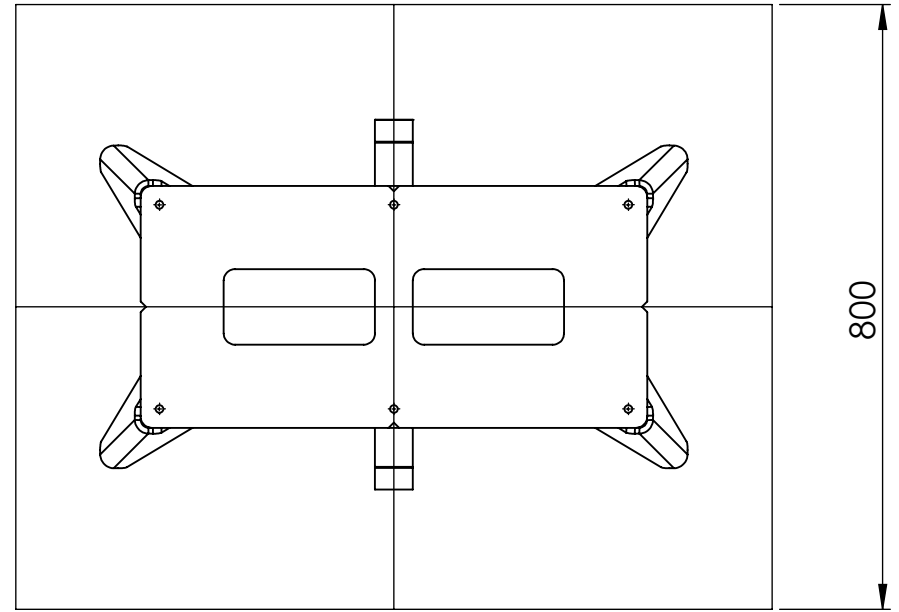


2 x6

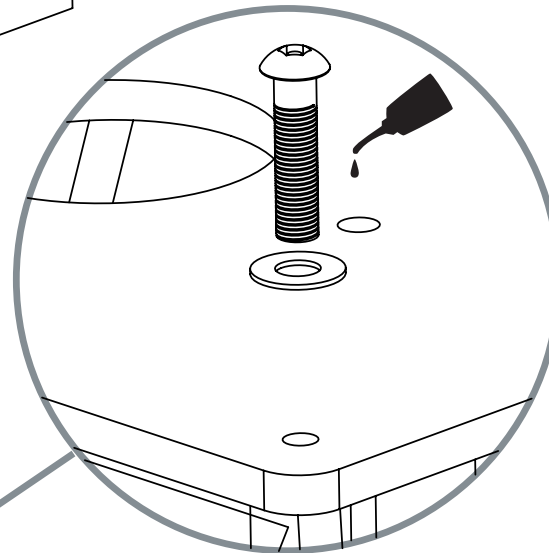
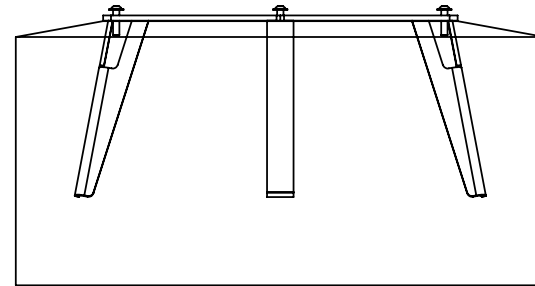
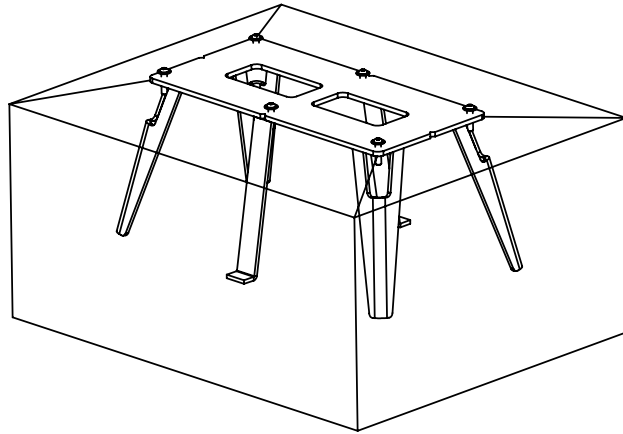
3 x6

1

DETAIL A  
SCALE 1 : 1

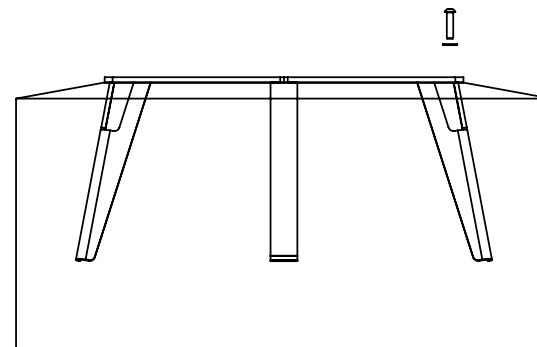
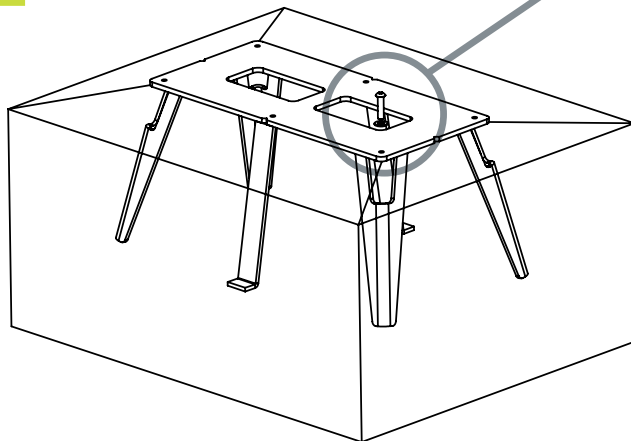


1

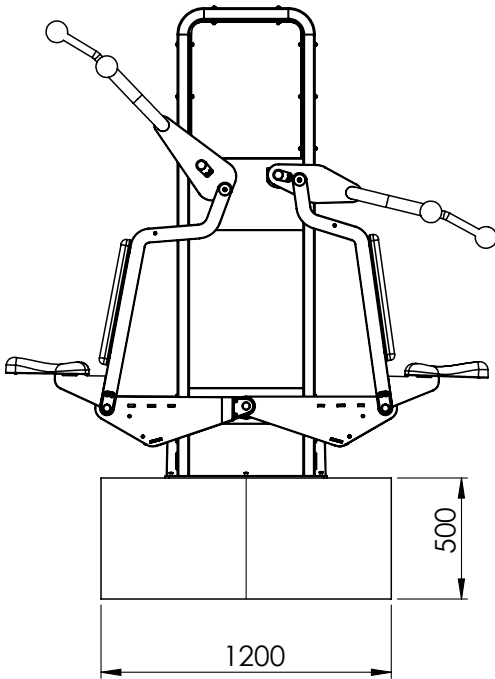
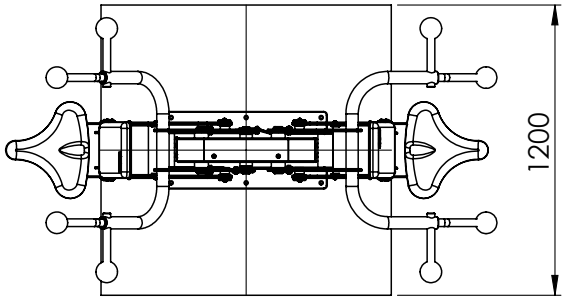


CC

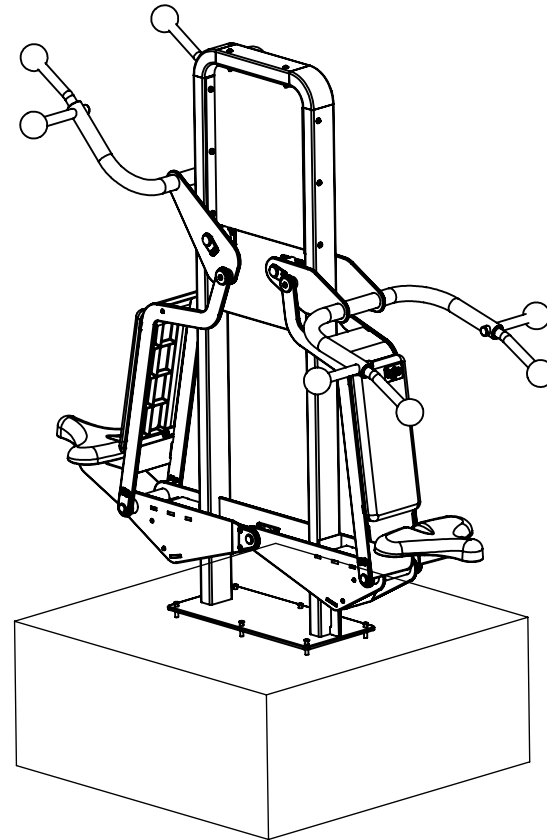
2





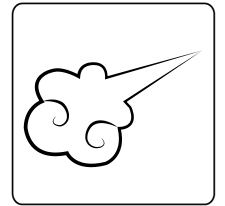


1



**OM**

2



3

